

4

3

2

1

THIS DRAWING IS UNPUBLISHED.
DIFFUSION RESTREINTE

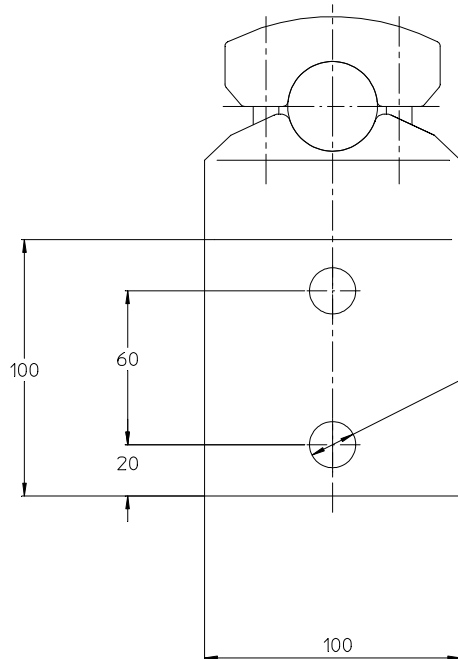
RELEASED FOR PUBLICATION
LIBRE A LA DIFFUSION

2011

© COPYRIGHT 2011 by Tyco Electronics Corporation

ALL RIGHTS RESERVED.
TOUS DROITS RESERVES

LOC	DIST	REVISIONS				
P	LTR REV	DESCRIPTION MODIFICATIONS	DATE	DWN DESS	APVD APPR	
-	-	A	CREATION	30-Jun-15	JPM	-

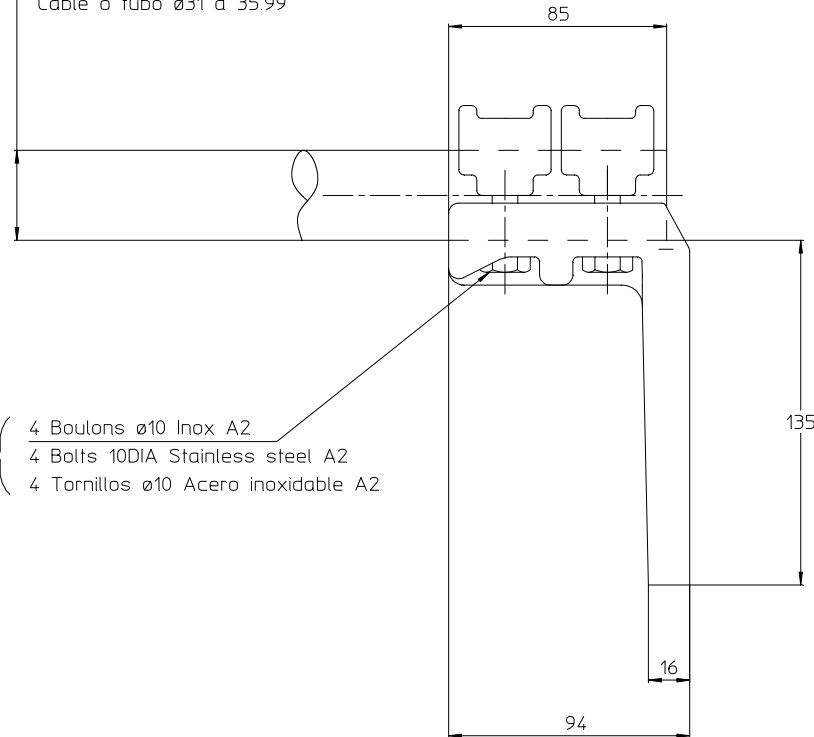



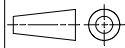
2 Trous $\phi 18$
 2 Holes 18 DIA
 2 Agujeros $\phi 18$

37 Nm

4 Boulons $\phi 10$ Inox A2
 4 Bolts 10DIA Stainless steel A2
 4 Tornillos $\phi 10$ Acero inoxidable A2

Cable ou tube $\phi 31$ à 35.99
 Cable or tube 31DIA to 35.99
 Cable o tubo $\phi 31$ a 35.99



THIS DRAWING IS A CONTROLLED DOCUMENT. <small>LE PLAN EST UN DOCUMENT CONTROLÉ PAR TYCO ELECTRONICS CORPORATION IL EST SUSCEPTIBLE D'ÊTRE REVISÉ POUR OBTENIR LA DERNIÈRE RÉVISION CONTACTER LE SERVICE TECHNIQUE DE TYCO ELECTRONICS SHEL SAS 4220 LEVREY-CHAMBERTIN, FRANCE</small>		DWN /DESSINE MOYEUR	30-Jun-15	 TE connectivity SIMEL PRODUCTS	
DIMENSIONS: mm		CHK/VERIFIE	-		
TOLERANCES UNLESS OTHERWISE SPECIFIED PER TOLERANCES NON SPECIFIEES SELON : -		APVD/APPROUVE	-	NAME /TITRE CE 82 35 100 C892	
		PRODUCT SPEC	-	SIZE /FORMAT A3	
MATERIAL /MATIERE		SPEC. PRODUCT	-	CAGE CODE	00779
FINISH /FINITION		APPLICATION SPEC	-	DRAWING NO /No PLAN	©=2845476
-		SPEC. APPLICATION	-	RESTRICTED TO /RESERVE A	-
-		WEIGHT /MASSE APPROX.	1.2 Kg	CUSTOMER DRAWING /PLAN CLIENT	
-		UNIQUEMENT /POUR REFERENCE	SCALE /ECHELLE	1/2	SHEET /FEUILLE 1 OF /DE 1
-		REV	A		

ITEM: